

## Heat-pipe Direct Touch

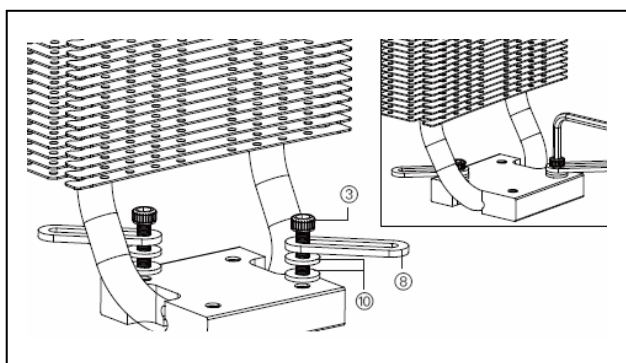
### Overview

- With H.D.T. technology and  $\Phi 8\text{mm}$  heat-pipe, Porter N881 creates most efficient heat conduction and outstanding cooling performance.
- Porter N881 is a fan option design model. Gamers can choose 80 mm fan freely to satisfy their requirement and enjoy DIY fun.
- With anti-vibration rubber and multiple application design, Porter N881 provides not only user friendly but also quick installation.

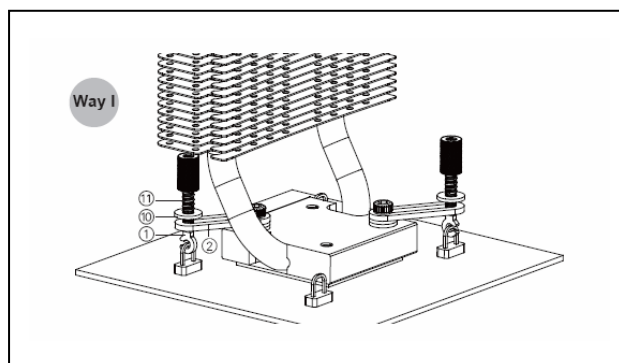
### Features

- H.D.T. (Heat-pipe direct touch) technology.
- Special fin shape design.
- High performance heat-pipe..
- Light weight.
- Anti-vibration rubber design for fan (Optional)
- Easy installation.

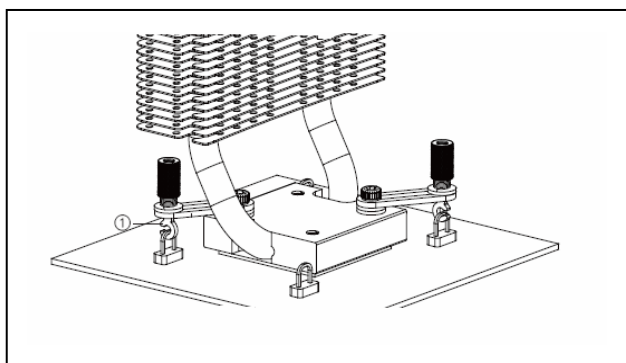
### Universal Retention Module



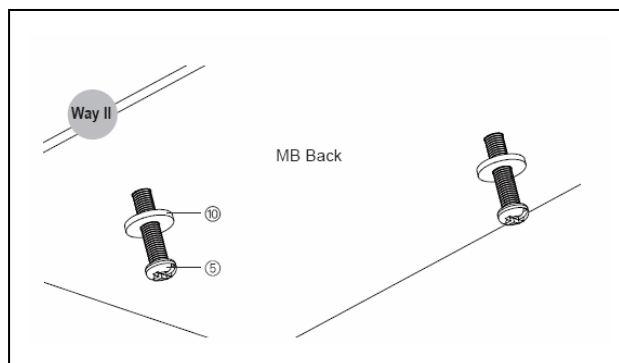
According to the picture shown, locate Washers ⑩ (2 pcs) · Waisted shank ⑧ and HI-head screw ③ onto Al. base. Use Allen key ⑨ to fasten the HI-head screw ③ in clockwise direction



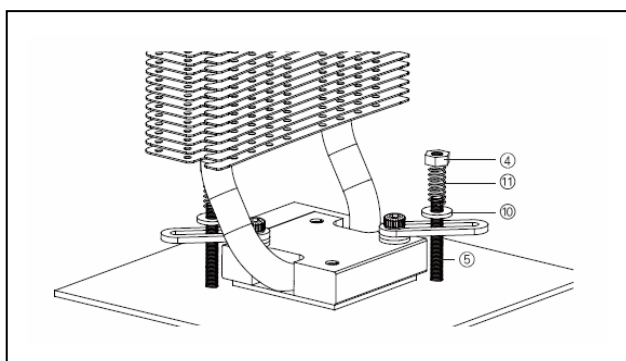
Link Hook-head screw ① and the clips of MB. Sequentially insert Washer⑩ · Spring · and Knurled Threaded nut ② to the Hook-head screw. Washer⑩ · Spring · and Knurled Threaded nut ② to the Hook-head screw.



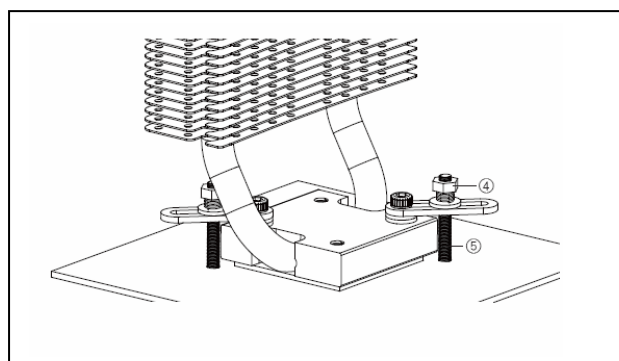
Fasten the knurled threaded nut ② to the Hook-head screw ①. Besure to fasten these 2 nuts at same time to Prevent from damaging chip by only one side being forced..



Insert Washer ⑩ to P-head screw ⑤. Aim the screw to the holes of MB and pass through MB from back to front.

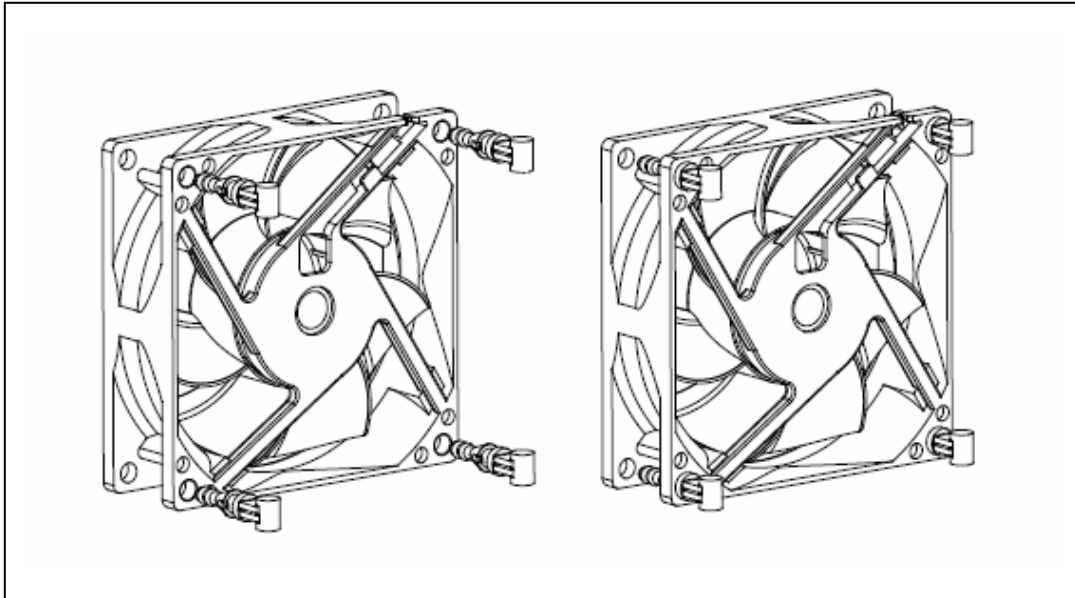


According to the picture shown, sequentially insert Washer ⑩ · Spring and Hexagon nut ④ into P-head screw ⑤.

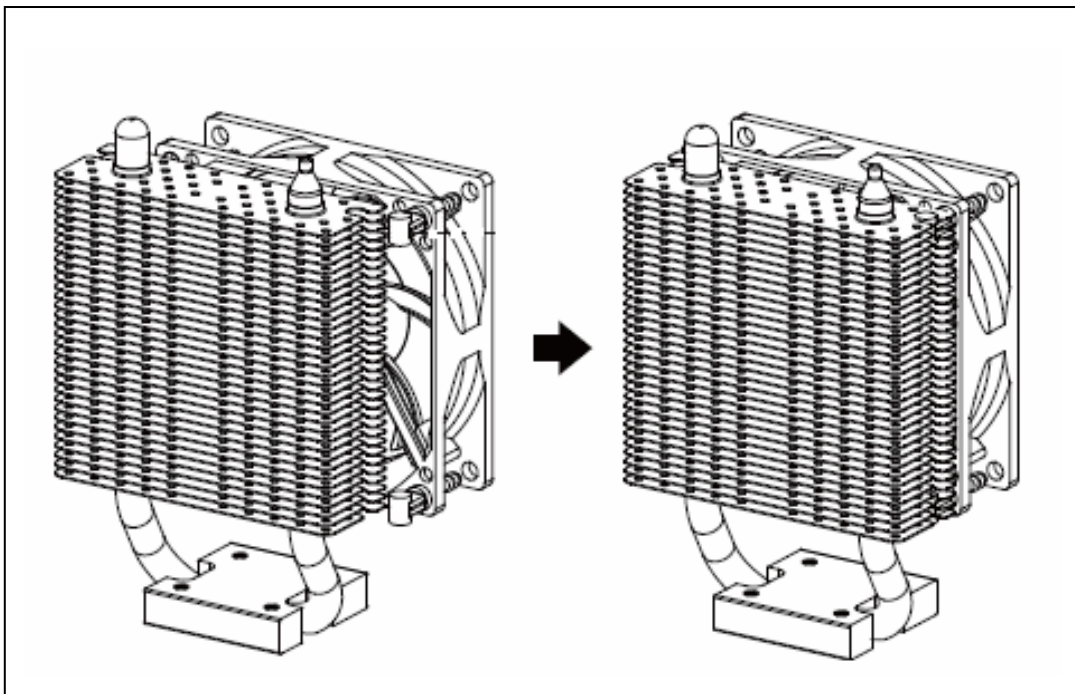


Fasten the Hexagon nut ④ to the P-head screw ⑤. Besure to fasten these 2 nuts at same time to Prevent from damaging chip by only one being forced.

## Sop of Fan change

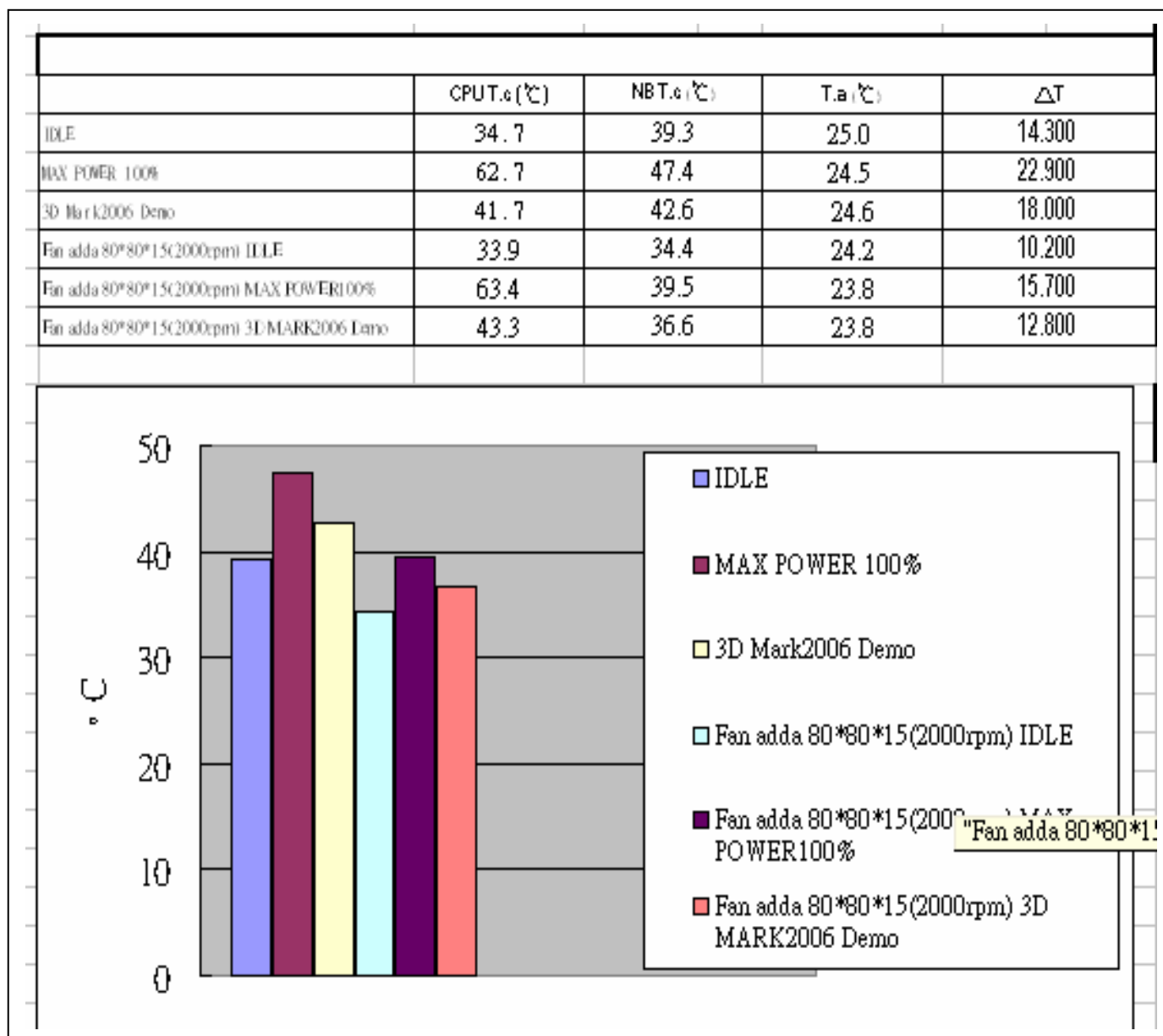


Attach Anti-vibration rubber to fan.



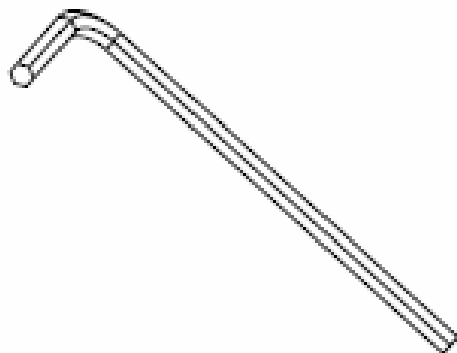
Slide Anti-vibration rubber onto heat sink fins.(Recommends rubber be attached to 2nd fin from the top)

## Performance Reference Table

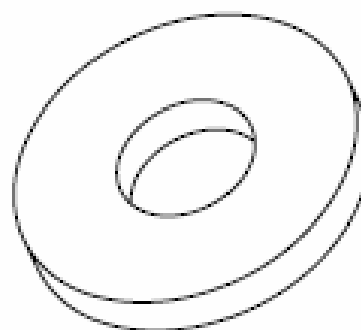


Accessory

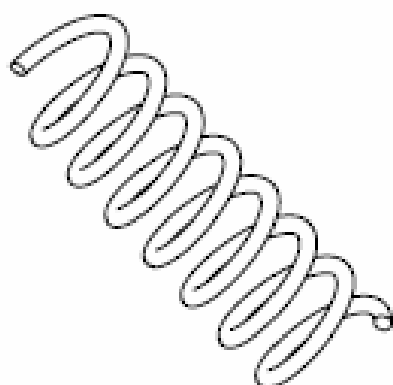
	
<p>① 勾狀螺絲 X 4 Hook-head screw * 4</p>	<p>② 手轉螺帽 X 4 Knurled threaded nut * 4</p>
	
<p>③ 內六角螺絲 X 4 HI-head screw * 4</p>	<p>④ 六角螺帽 X 2 Hexagon nut * 2</p>
	
<p>⑤ 十字P頭螺絲 X 4 P-head screw * 4</p>	<p>⑥ 導熱膏 X 1 Thermal grease * 1</p>
	
<p>⑦ 泡棉 X 1 Foam * 1</p>	<p>⑧ 環狀連接扣 X 4 Waisted shank * 4</p>



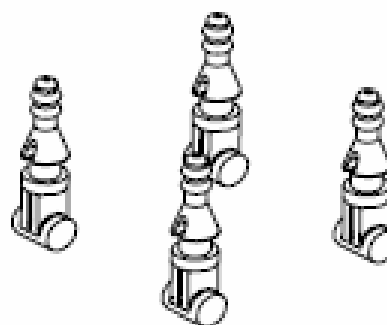
② 六角板手 X 1 Allen key \* 1



③ 電木墊片 X 8 washer \* 8



④ 彈簧 X 4 spring \* 4



⑤ 風扇防震墊片 X 4 Anti-vibration rubber \* 4