

Embedded Systems

NEW

VIA VIPRO VP7710

Fanless Panel PC with 10.4"
TFT LCD and Touch Screen



Features

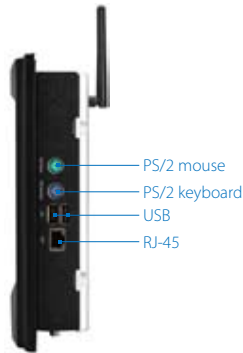
- Fanless and ultra low power consumption
- Built-in 1.6 GHz VIA Eden™ ULV or 1.0 GHz VIA C7® processor
- 10.4" TFT LCD panel with touch screen
- Integrated VIA UniChrome™ Pro II 3D/2D AGP graphics with MPEG-2/4 and WMV9 video decoding acceleration
- Supports Gigabit Ethernet, with optional Wireless LAN 802.11b/g
- IP65 front panel compliant against water and dust

Specifications

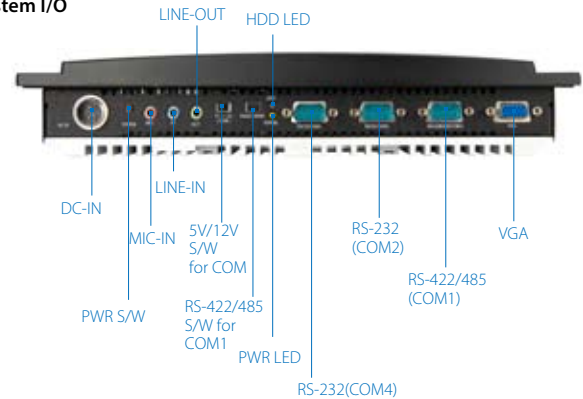
Part Number		VP-7710-R1E16A1	VP-7710-R1C10A1
Computing System	Processor	1.6 GHz VIA Eden™ ULV	1.0 GHz VIA C7®
	Front Side Bus	800 MHz	400 MHz
	L2 Cache	128 KB	128 KB
	Chipset	VIA CX700M2 Unified Digital IGP chipset	
	BIOS	Award 4MBit Flash BIOS	
	System Power Management	Timer Power-on, ACPI supported	
	Memory	Technology	1 x DDR2 533 200-pin SDRAM SODIMM socket
Max. Capacity		Up to 1 GB	
Graphic	Controller	Integrated VIA UniChrome™ Pro II 3D/2D AGP graphics with MPEG-2/4 and WMV9 video decoding acceleration	
	Display Memory	Optimized shared memory architecture, supports up to 128 MB frame buffer using system memory	
LCD Display	LCD Type	10.4" Color TFT LCD panel	
	Resolution/Color	Up to 800 x 600 @ 262K	
	Pixel Pitch	0.264 mm x 0.264 mm	
	Viewing Angle	70° (right), 70° (left), 55° (up) and 65° (down)	
	Luminance	230 cd/m²	
	Backlight MTBF	30,000 hours (typical)	
Touch Screen	Type	Analog resistive, continuous resolution	
	Light Transmission	82.5% (typical)	
	Controller	USB interface	
	Durability	1 million touches	
Ethernet	Controller	VIA VT6122 Gigabit Ethernet	
	Interface	Supports 1 x RJ45 connector Supports Wake-on LAN (WOL) Supports Preboot Execution Environment (PXE)	
Audio	Controller	VIA VT1708A High Definition Audio Codec	
	Interface	Supports Line in, Line-out, Mic-in connectors	
Serial	USB	2 x USB ports, USB 2.0 compliant	
	Serial Ports	3 x COM ports (2 x RS-232 & 1 x RS-422/485) 5V/12V selectable	
Storage	HDD	1 x 2.5" drive bay	
	Compact Flash	1 x Type I socket	
System Indicator	Power Status LED	1 x Orange color LED	
	HDD Activity LED	1 x Blue color LED	
Watch Dog Timer	Output	System reset	
	Interval	Programmable 1 ~ 255 sec	



Side System I/O



Bottom System I/O



Specifications

Part Number		VP-7710-R1E16A1	VP-7710-R1C10A1
System I/O	Bottom I/O Ports	1 x VGA connector 1 x RS-422/485 serial port connector as COM1 2 x RS-232 serial port connectors as COM2 and COM4 1 x 5V/12V selectable switch for COM1, COM2 and COM4 3 x Audio jacks of Line-out, Line-in and Mic-in connectors 1 x ATX power on/off button 1 x 2-pole, DC DIN jack power input connector 1 x antenna hole for optional WLAN	
	Side I/O Ports	1 x PS/2 mouse connector, 1 x PS/2 keyboard connector 2 x USB 2.0 connectors, 1 x RJ45 connector	
Power Supply	Power Consumption	Maximum 32 W Typical 24.6 W	Maximum 28 W Typical 22.8 W
	Input Voltage	7V _{DC} ~ 30 V _{DC} Typical: 7V _{DC} @ 4.57 A 12V _{DC} @ 2.66 A 16V _{DC} @ 1.93 A 19V _{DC} @ 1.68 A 24V _{DC} @ 1.33 A 30V _{DC} @ 1.1 A	7V _{DC} ~ 30 V _{DC} Typical: 7V _{DC} @ 3.25 A 12V _{DC} @ 1.9 A 16V _{DC} @ 1.42 A 19V _{DC} @ 1.2 A 24V _{DC} @ 0.95 A 30V _{DC} @ 0.76 A
	Input Power Protection	Supports over voltage protection Supports over current protection Supports under voltage protection	
		Construction	Aluminum mixed with heavy-duty steel
Mechanical	Mounting	Panel/Wall/Table/VESA mountable	
	Dimensions (W x H x D)	300.4 mm x 205.9 mm x 55.2 mm (11.82" x 8.1" x 2.17")	
	Weight	3.6 kg (7.9 lbs)	
Environmental Specification	Operating Temperature	0°C ~ 45°C	
	Storage Temperature	-20°C ~ 70 °C	
	Relative Humidity	0 ~ 90% @ 45°C, non-condensing	
	Vibration Loading During Operation	When system equipped with Compact Flash Disk only: 5Grms, IEC 60068-2-64, random, 5 ~ 500Hz, 1 Oct./min, 1hr/axis	
	Shock During Operation	When system equipped with 2.5" Hard Disk Driver: 20G, IEC 60068-2-27, half sine, 11ms duration When system equipped with Compact Flash Disk: 50G, IEC 60068-2-27, half sine, 11ms duration	
	Front Panel Protection	IP65 compliant	
	EMC Approved	CE, FCC Class B	
	Safety Approved	UL	
Software Compatibility	Operation System	Microsoft Widows XP, Windows XP Embedded, Windows CE 6.0	

Ordering Information

Part Number	CPU Frequency	Description
VP-7710-R1E16A1	1.6 GHz Eden™ ULV	1.6 GHz Eden™ ULV based fanless 10.4" touch panel PC, with VGA, 2 x USB 2.0, 3 x COM, 1 x GigaLAN
VP-7710-R1C10A1	1.0 GHz C7®	1.0 GHz C7® based fanless 10.4" touch panel PC, with VGA, 2 x USB 2.0, 3 x COM, 1 x GigaLAN

Optional Accessories

External AC-to-DC Adapter and Power Cable

Part Number	Description
99G63-020065	AC-to-DC adapter, 2-pole, DC 12V/5A, 60 W
99G33-02032C	Power cable, 180 cm, USA type
99G33-02034C	Power cable with PSE mark, 180 cm for Japan
99G33-02033C	Power cable, 180 cm, Europe type
99G33-02031C	Power cable, 180 cm, UK type

WLAN USB Module

Part Number	Description
EMIO-1530-00A1	802.11 b/g Wireless LAN USB module

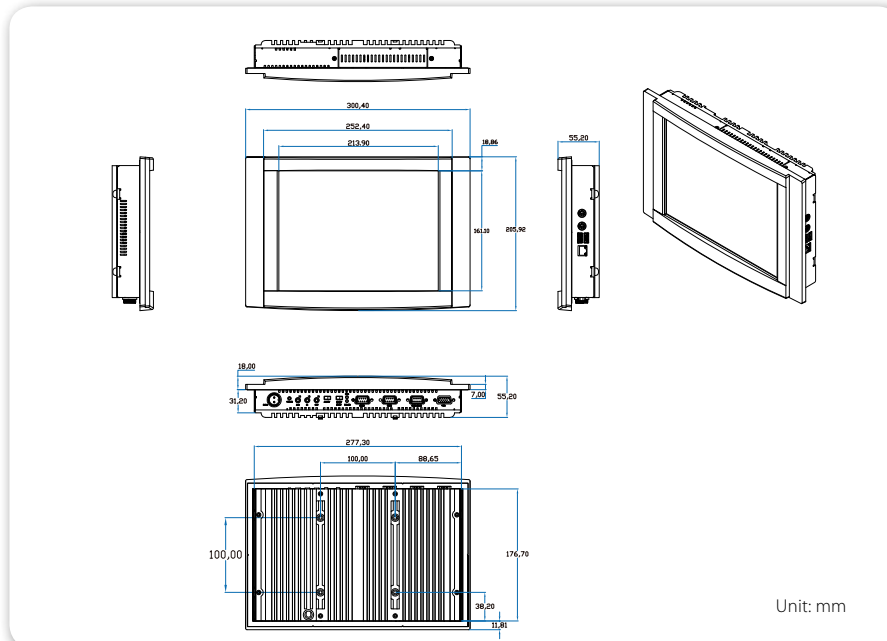
Embedded OS (Only available for OEM service)

Part Number	Description
POS-MXPELI-ENS00	Windows XP Embedded SP2 Feature Pack 2007 OS image and license for VIPRO VP7710, English version
POS-MCE6LI-ENS00	Windows CE 6.0 Professional OS image and license for VIPRO VP7710 English version

Mounting Plate

Part Number	Description
99G42-090164	Wall-mount bracket for VIPRO VP7710
99G42-090154	Desktop stand for VIPRO VP7710

Dimensions



Packing List

- 1 x VIPRO VP7710 unit
- 1 x Driver Utility CD
- 1 x Power cable, DIN-jack to DC-plug
- 1 x IDE cable
- 1 x SATA data cable
- 1 x Panel mounting plate